

# Patriot Fill Station

**ABE**  
BEVERAGE EQUIPMENT

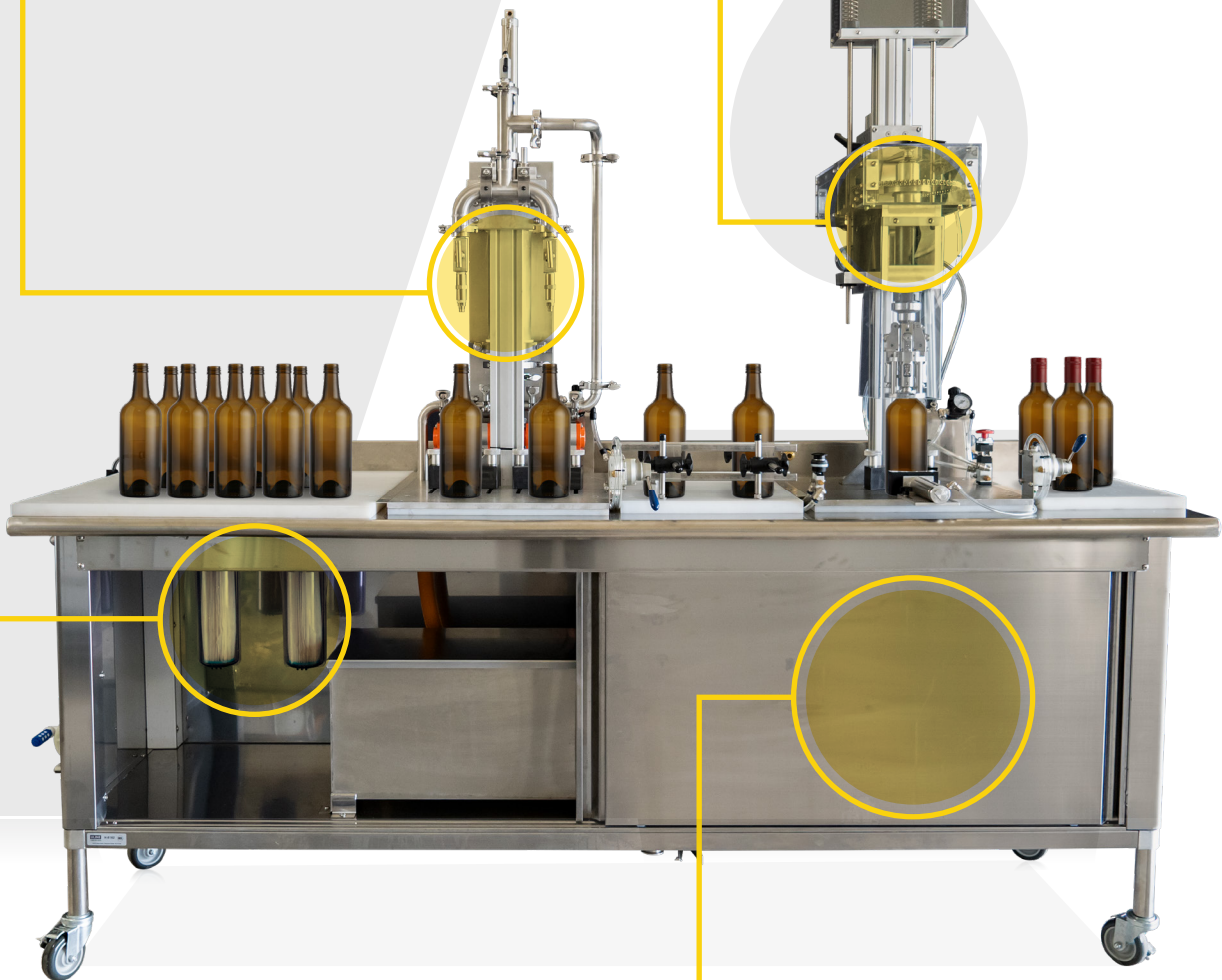
ABE is proud to introduce the one-of-a-kind Patriot Fill Station. This pneumatically operated system has an exceptionally creative bottle filling design that utilizes piston-displacement technology and offers a comprehensive range of capping options. With the freedom to apply and tighten ROPP, natural or silicone corks and even tamper-evident screw caps, the Fill Station brings excellent quality and product control to a new level for small-scale packaging operations.

## 2-Head Bottle Filler

- Pneumatic operation - no electrical available
- Fill up to 10 BPM/750 ml
- Accurate within <1% of volume
- Fill bottles ranging in size from 12 oz to 1 gallon

## Corking/Capping

- Interchangeable capping options available
- ROPP (Roll on Pilfer Proof) 18-38 mm
- Corks - silicone or natural
- 28/38 mm PCO



## Filtration Station

- Wide variety of filter options available
- Stainless steel transfer tank with sealed lid
- Stainless steel sanitary connections

## Operations Cabinet

- Heavy duty stainless steel storage cabinet
- Sliding doors for clean operation
- Mobile options available

# Patriot Fill Station

## General Specifications

- Pneumatic controls for safe operation; no electrical connection required
- One pneumatic connection to operate all equipment
- Semi-automatic operation

## Compatible Bottles/Closures

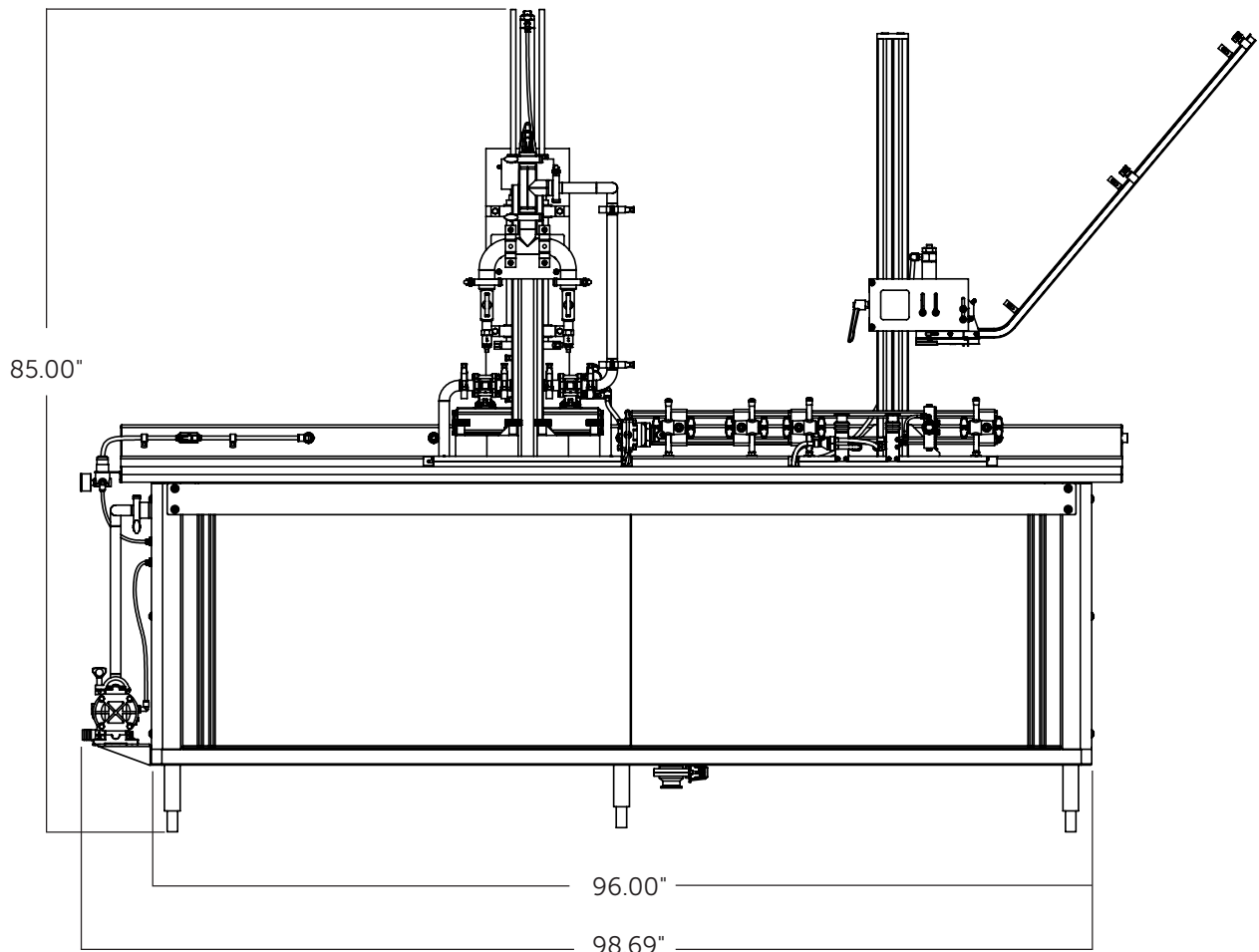
- Fill bottles ranging in size from 12 oz to 1 gallon
- Accepts glass, plastic, and aluminum bottles
- 28 mm to 38 mm tamper-evident cap sizes
- Works with ROPP, natural and synthetic corks

## Your Complete Package

Each Patriot Fill Station that leaves our facility carries UL certification and an industry-leading five-year limited warranty on the metal and welds. In addition to a comprehensive spare parts inventory, you'll receive superior customer support from our team right here in Lincoln, Nebraska, with any ABE purchase.

## Compatible Products

- Tabletop Labeler
- Ozone System
- Food Grade Storage Tank
- Date and Batch Coding Options



ABE Beverage Equipment reserves the right to change specification without notice. All specifications are approximate (+10). ©2021 ABE Beverage Equipment